

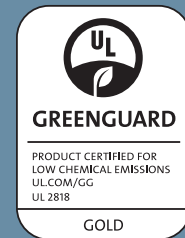
# Parkland™ Wood Blinds



Parkland™ Wood Blinds is one of the most comprehensive wood blind programs in the market today. Constructed from the finest hardwoods, Parkland wood blinds have the inherent beauty of natural wood grain and color variation.

## KEY FEATURES

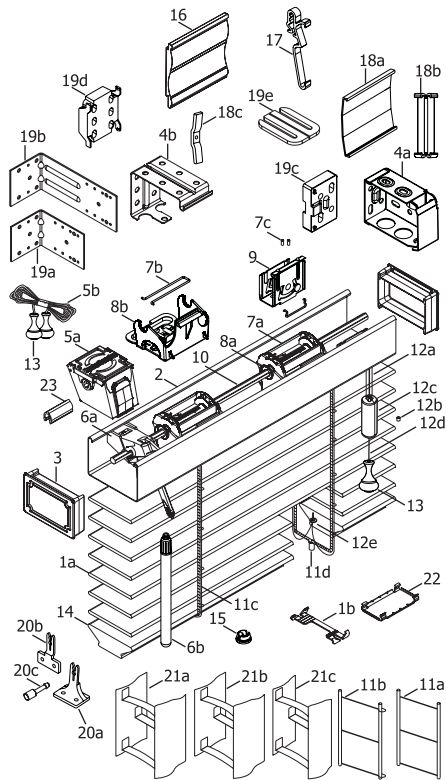
- Hunter Douglas Lifetime Guarantee
- GREENGUARD GOLD Certified
- Harvested from responsibly managed forest
- Designed and assembled in the USA
- Resistant to fading and moisture
- Optional LiteRise® cordless lift system enhances child safety



450 Distinctly White	801 Bright White	867 Vivid White	453 Cottonwood	451 Designer White	473 Bavarian Cream
809 Linen	808 Eggshell	830 Natural	639 Fall Rustle	638 Malted Milk	632 Palomino
640 Craft Paper	613 Maple Honey	634 Salt and Pepper	869 Cottage Pine	804 Golden Oak	616 Harvest
467 Fruitwood	870 Warm Cherry	466 Hickory	470 Walnut	468 Black Cherry	635 Bungalow
489 Prairie	636 Thoroughbred	602 Windsor Walnut	618 Tuscany	481 Manchester Brown	480 Mission Oak
637 Velvet Rope	471 Espresso	112 Black			

## HunterDouglasContract

WINDOW COVERINGS



**STANDARD COMPONENTS:**

- 1a. Slat
- 1b. Tape Spacer
- 2. Headrail
- 3. Headrail End Cap
- 4a. Installation Bracket
- 4b. Intermediate Support Bracket
- 5a. Cord Tilter
- 5b. Tilt Cord 1.4mm
- 6a. Wand Tilter
- 6b. Wand
- 7a. Tape Roll 2" Unv. EPIC™
- 7b. Tape Roll Pin
- 7c. "X" Tape Locator
- 8a. Tape Roll Support (Ladders)
- 8b. Tape Roll Support (Dec Tapes)
- 9. Cordlock
- 10. Tiltrod
- 11a. No Loop Cable Tape
- 11b. Single Loop Cable Tape
- 11c. Double Loop Cable Tape
- 11d. 2" Cable Tape Grommet
- 12a. Lift Cord 1.4mm
- 12b. Cord Stop Washer
- 12c. Cord Stop
- 12d. Tassel Cord 2.2mm
- 12e. Lift Cord Grommet
- 13. Wood Tassel
- 14. Bottom Rail
- 15. Tape Button
- 16. Valance
- 17. Universal Valance Clip
- 18a. Valance Splice
- 18b. Universal Valance Corner Key
- 18c. Child Safety Kit (Cord Cleat)

**OPTIONAL COMPONENTS:**

- 19a. Short Extension Bracket
- 19b. Long Extension Bracket
- 19c. Spacer Block (Bracket)
- 19d. Spacer Block (Support Bracket)
- 19e. Bracket Shim
- 20a. Hold-Down Bracket (Sill)
- 20b. Hold-Down Bracket (Jamb)
- 20c. Hold-Down Pin
- 21a. Solid Colored Decorative Tapes (1" wide)
- 21b. Solid Colored Decorative Tapes (1½" wide)
- 21c. Patterned Colored Decorative Tapes (1½" wide)
- 22. Tape Lock
- 23. Clip

**PRODUCT SPECIFICATIONS**

**ACCEPTABLE MANUFACTURER**

**A. Hunter Douglas Contract / 12250 Parkway Centre Drive, Poway, CA 92064**  
 Phone: 800-727-8953 Fax: 800-205-9819 / Website: www.hunterdouglascontract.com, or architect approved equivalent. Contact the following for project assistance and dealer referral @ 800-964-2580: (Mideast/Midwest) Keith Burgess ext. #827311, (Southern / Central) Christopher Hagen ext. #827312, (Western/Mountain/Upper Midwest) David Cover ext. #827313, (Northeast) Patrick LeClair ext. #827314, (Southwest) Matthew Craven ext. #827317.

**B. Product substitutions must be approved by architect minimum of 30 days prior to close of bid.**

**2" HORIZONTAL WOOD BLINDS**

**A. PRODUCT:** Hunter Douglas "Parkland™ 2" Horizontal Wood Blind"

**B. MATERIALS:**

- 1. SLATS:** 2" wide x 1/8" thick cut from quality selected hardwood with slat ends stained or painted to match slat color. Furnish not less than nominal 6.9 slats per foot (cloth tapes 7.2 slats per foot) to ensure tight closure and light control. Finish with manufacturer's standard stained and lacquered or painted finish in colors selected by architect from manufacturer's available contract colors.
- 2. SLAT SUPPORT:** Braided ladders of 100% polyester yarn color compatible with slats and spacing of ladder no more than 44mm. Optional cloth tapes constructed of high strength polyester webbing and spacing of no more than 44mm. Tapes spaced to comply with industry standards for size and weight of blind.
- 3. HEADRAIL:** U-shaped profile with rolled edges, measuring 1 1/2" x 2 1/4" x .024" constructed of corrosion resistant steel and providing a sleek low profile design. Internally fit with components required for specified performance and designed for smooth, quiet, trouble-free operation. Headrail finish to be standard baked-on polyester and to coordinate with slats. Ends fitted with durable polycarbonate positive-fitting end caps. Installation brackets equipped with adjustable tab for centering blinds.
- 4. BOTTOM RAIL:** 2" wide x 5/8" thick trapezoidal shape quality selected hardwood with ends stained or painted to match slats. Color-coordinated engineered polymer tape buttons secure the ladder and cord. Finish to be manufacturer's standard stained and lacquered or painted finish to match slats.
- 5. LIFTING MECHANISM:** Engineered polymer and galvanized steel housing cordlocks with polymer roller bearing and steel locking dogs, two-ply polyester cord filler in braided polyester jacket lift cords meet or exceed commercial specification 1029.86, and cord stop / tassel. Located on either side of individual blind unit as per architect's request.
- 6. TILTING MECHANISM:** Permanently lubricated and fully enclosed standard cord tilt holds and tilts slats at any angle. Solid steel, corrosion resistant tilt rod. Optional wand tilt of worm and gear construction with slip clutch incorporated into tilter mechanism.

- 7. OPTIONAL TILT CONTROL WAND:** Rounded 3/8" diameter constructed of quality selected hardwood stained and lacquered or painted to match slats and detachable without tools. Located on either side of individual blind unit as per architect's request.
- 8. MOUNTING HARDWARE:** Manufacturer's standard .030" steel box brackets with baked-on polyester finish to match headrail with additional support brackets for blinds over 48" wide.
- 9. VALANCE:** Crafted of selected hardwoods, stained and lacquered or painted to match slats.
- 10. ADDITIONAL AVAILABLE OPTIONS:** Wand Tilt, de-Light™ Feature, 2 or 3 Blinds on 1 Headrail, Hold Down Brackets, Cutouts, Cloth Tapes, PowerTilt™ with Platinum™ Technology, LiteRise® Cordless Lift System, Extension Brackets.

**2.03 FABRICATION**

**A. Blind measurements shall be accurate to within ± 1/8" or as recommended in writing by manufacturer.**

**2.04 FINISHES**

- A. SLAT finish** for "Classics" selection from the following: 450 Distinctly White, 801 Bright White, 867 Vivid White, 453 Cottonwood, 451 Designer White, 473 Bavarian Cream, 809 Linen, 808 Eggshell, 830 Natural, 639 Fall Rustle, 638 Malted Milk, 632 Palomino, 640 Craft paper, 613 Maple Honey, 634 Salt and Pepper, 869 Cottage Pine, 804 Golden Oak, 616 Harvest, 467 Fruitwood, 870 Warm Cherry, 466 Hickory, 470 Walnut, 468 Black Cherry, 635 Bungalow, 489 Prairie, 636 Thoroughbred, 602 Windsor Walnut, 618 Tuscan, 481 Manchester Brown, 480 Mission Oak, 637 Velvet Rope, 471 Espresso, 112 Black.
- B. SLAT SUPPORT** braided ladders shall be color coordinated with slat. Optional 1.5" solid cloth tapes available colors: 048 Black, 064 Bronze, 082 Camel, 292 Terracotta, 293 Bordeaux, 302 Taupe, 336 Chestnut, 378 Sable, 430 Amber, 450 White, 500 Celery, 504 Moss, 572 Spruce, 613 Lake, 614 Ivory, 627 Heritage Blue, 685 Indigo, 830 Almond, 909 Country Redwood, 973 Antique White, 418 Buttercup, 500 Celery, 504 Moss, 627 Heritage Blue, 292 Terracotta, 769 Eggplant.
- 1.5" patterned tapes available colors: 060 Antique Stripe, 061 Chestnut Stripe, 062 Onyx Stripe, 063 Highlander Stripe, 068 Amber Stripe, 090 Black Stripe, 091 Burgundy Stripe, 092 Taupe Stripe, 093 Cream Stripe, 712 Ivory Paisley, 716 Cranberry Paisley, 717 Vienna Dawn, 718 Vienna Sunset, 719 Vienna Twilight, 720 Vienna Midnight, 723 Autumn Penny, 727 Laurel Brownstone, 820 Butterscotch, 821 Truffle, 822 Licorice, 823 Lingonberry, 824 Popcorn, 852 Nightlife, 884 Paprika, 914 Clove, 916 Glamour, 917 Sophistication, 918 Copper Luster.
- 1" available colors: 048-1 Black, 082-1 Camel, 293-1 Bordeaux, 302-1 Taupe, 336-1 Chestnut, 378-1 Sable, 430-1 Amber, 450-1 White, 500-1 Celery, 685-1 Indigo, 830-1 Almond, 973-1 Antique White.